

SemiChem Advanced Process Monitor

Provides a lab quality measurement in a durable, reliable, online platform

Entegris is a market leader in the design and production of high precision analytical instruments for chemical mechanical planarization (CMP) slurries and formulated cleaning chemistries used in the semiconductor manufacturing process. Our technology is designed to ensure precise consistency of complex blended chemistries and enable high yields in the CMP and formulated cleaning processes.

Our SemiChem Advanced Process Monitor (APM) is a wet chemical monitoring system that automatically samples, analyzes, and reports quantitative chemical concentration of critical processes. Full, on-line chemical monitoring allows real-time correction of bath composition and therefore stable control of the process conditions. The system provides class-leading chemical concentration data. When immediately apparent, variations that can negatively affect product quality can be quickly corrected, helping to meet the demands for zero defect tolerance and higher product yields.

APPLICATIONS

Worldwide, we have nearly 3,000 SemiChem APM systems installed for controlling metal CMP concentration. It is a trusted, central tool for controlling CMP peroxide, and is proven to provide exceptional performance in all wet chemical applications in the microelectronics environments including:

- Copper, tungsten, barrier, and metal CMP
- Formulated cleans
- DSP+
- Wet etch, nitride etch
- PAN etch, Piranha etch
- HF
- Wastewater



SemiChem APMi 200

FEATURES & BENEFITS

Proven, standard electrochemical techniques

Provide the industry's most precise monitoring available to maintain process chemical composition and integrity

Provides class-leading chemical concentration data allowing the slurry/chemical distribution system to deliver exact chemical concentration

Online, near real time system

Detects process excursions in volatile chemistries, preventing loss of product quality

Transitions the lab technology to the process, allowing fast and accurate process control

Rugged, industrial design

Maintains a MTBF >8500 hours

Withstands tough, industrial environments

SPECIFICATIONS

Analysis methods	Potentiometry, standard addition, photometry
Accuracy of potentiometry*	±0.2% of displayed value
Accuracy of standard addition*	±2.0% of displayed value
Precision of potentiometry*	±0.2% relative error
Precision of standard addition*	±2.0% relative error
Measurement time	>5 minutes/analysis (application dependent)
Calibration interval	at start-up**
Sample consumption	<5 mL/analysis
Sample size	0.05 to 5 mL (application dependent)
Sample temperature	up to 93°C (200°F)
Water consumption	<1000 mL/analysis
Sample inlet/return	<207 kPa (30 psi), 0.5 L/min 1/4" OD flare fitting, 1" FPT containment coupling
Deionized water	138 to 276 kPa (20 to 40 psi) 2.0 L/min 1/4" OD flare fitting
CDA	414 to 552 kPa (60 to 80 psi) 1/4" OD quick fitting
Drains	Process: 3/4" NPT gravity drain Cabinet: 1/2" NPT gravity
Power	110/220 VAC, 50/60 Hz, 1/0.5 A field switchable
Exhaust	1 7/8" OD @ 17 CFM

*Refers to hardware only. External factors such as applications, chemistry, and process conditions can affect system accuracy and precision.

Standard Features

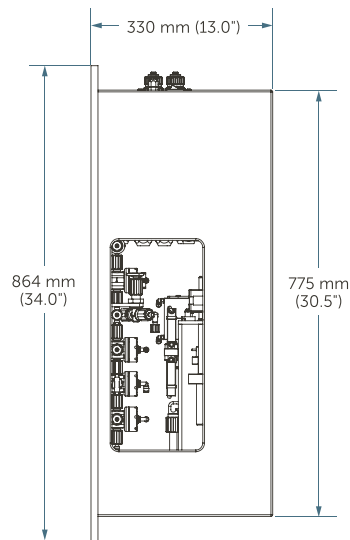
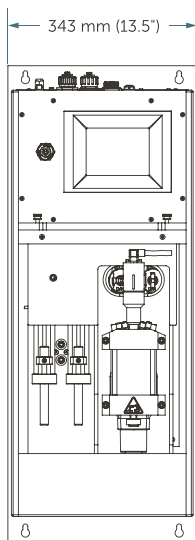
- Four 4-20 mA analog outputs
- Eight programmable relays
- Ethernet and RS232 serial
- Color Touchscreen
- Single measuring cell
- Integrated reagent storage
- Single sample point
- One 5 mL digital burette
- Multiple sensor inputs

Optional Features

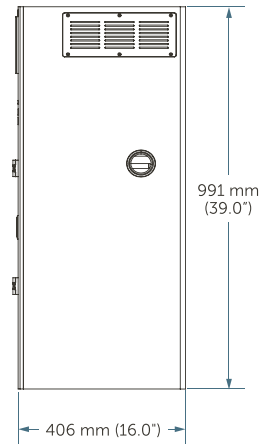
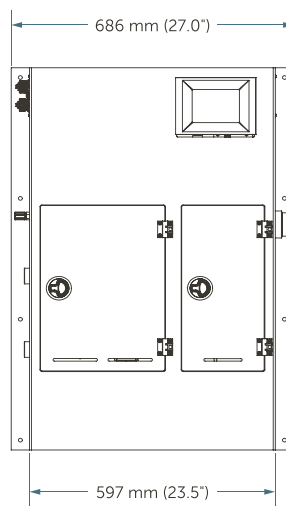
- Multiple sample points
 - Additional 5 mL digital burettes
 - Additional sensors
 - Safety interlocks
 - Reagent low level detection
-

DIMENSIONS

SemiChem APMi

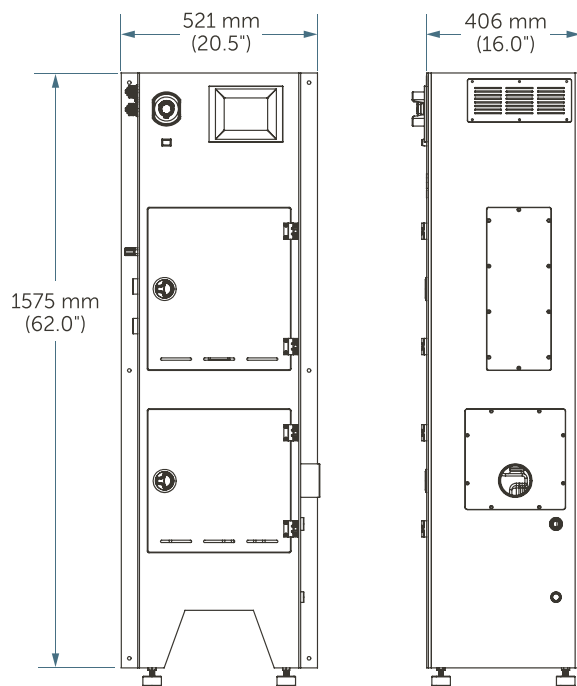


SemiChem APM Wall Mount

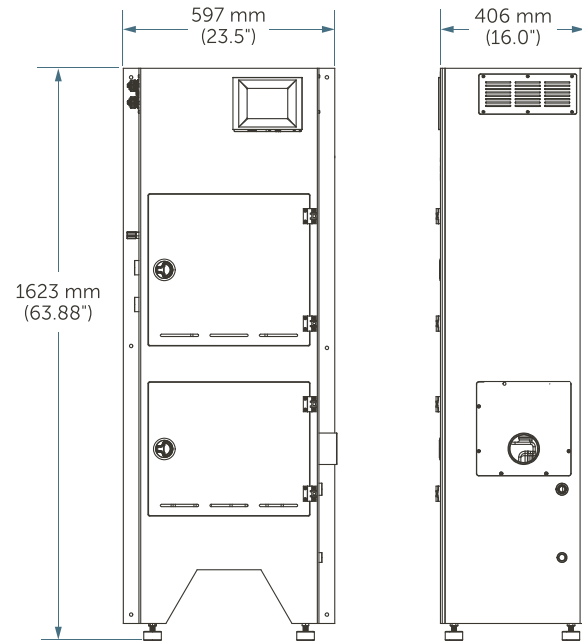


DIMENSIONS

SemiChem APM Single Cell Floor Mount



SemiChem APM Dual Cell Floor Mount



FOR MORE INFORMATION

Please call your Regional Customer Service Center today to learn what Entegris can do for you. Visit entegris.com and select the [Contact Us](#) link to find the customer service center nearest you.

TERMS AND CONDITIONS OF SALE

All purchases are subject to Entegris' Terms and Conditions of Sale. To view and print this information, visit entegris.com and select the [Terms & Conditions](#) link in the footer.



Corporate Headquarters
129 Concord
Billerica, MA 01821
USA

Customer Service
Tel +1 952 556 4181
Fax +1 952 556 8022
Toll Free 800 394 4083

Entegris®, the Entegris Rings Design®, and other product names are trademarks of Entegris, Inc. as listed on entegris.com/trademarks. All third-party product names, logos, and company names are trademarks or registered trademarks of their respective owners. Use of them does not imply any affiliation, sponsorship, or endorsement by the trademark owner.